

# PUNCTURE SEAL SERIES CONNECTOR

*The 1/4" flow Puncture Seal dispensing system* provides clean and safe liquid dispensing from bag-in-box (BIB) or other types of flexible packaging. The system consists of a Puncture Seal closure cap and a specially designed quick disconnect coupling body. The closure makes a positive thread or snap-in seal with a 38mm fitment neck. The Puncture Seal coupling body automatically breaks the membrane seal on the closure cap when connected. To switch to a new container, simply depress the CPC thumb latch to disconnect the system and then connect the Puncture Seal coupling body to a fresh container.



## SPECIFICATIONS

### PRESSURE:

120 psi, 8.3 bar (coupling body)

### TEMPERATURE:

32°F to 160°F (0°C to 71°C)

### MATERIALS:

**Main components and valves:** Polypropylene

**38mm closure:** Polyethylene (LDPE)

**Thumb latch:** Stainless steel

**Valve spring:** 316 stainless steel

**External spring and pin:** Stainless steel

**O-rings:** EPDM

**CLOSURE SIZE:** SP-400 38mm

### TUBING SIZES:

1/4" and 3/8" ID, 6.4mm and 9.5mm ID



[cpcworldwide.com/Puncture-Seal](http://cpcworldwide.com/Puncture-Seal)

### FEATURES

- Puncture Seal coupling → Easily breaks the Puncture Seal membrane
- Polypropylene and polyethylene materials → Greater chemical resistance
- Puncture Seal membrane → Eliminates shipping caps and o-rings
- CPC thumb latch → One-hand connection and disconnection

### BENEFITS



## NSF OPTION AVAILABLE

This product has an NSF compatible product for food applications. Our food-grade couplings are superior to general fittings for fluid control because they incorporate built-in shutoff valves, enabling tubing to be disconnected without having to turn off the water supply. Scan the QR code to be taken to the NSF specific product web page.



**COLDER PRODUCTS COMPANY**  
U.S.A.  
PHONE: +1 (651) 645-0091  
FAX: +1 (651) 645-5404  
TOLL FREE: +1 (800) 444-2474  
E-MAIL: [info@cpcworldwide.com](mailto:info@cpcworldwide.com)

**COLDER PRODUCTS COMPANY GMBH**  
Germany  
E-MAIL: [cpcgmbh@cpcworldwide.com](mailto:cpcgmbh@cpcworldwide.com)

**DOVER (SHANGHAI) INDUSTRIAL CO., LTD**  
ShangHai, China  
PHONE: +86 21 2411 2666  
TOLL FREE: +86 400 990 1978  
E-MAIL: [asiapacific@cpcworldwide.com](mailto:asiapacific@cpcworldwide.com)

# PUNCTURE SEAL SERIES DIMENSIONS

## COUPLING BODIES - Polypropylene



TERMINATION	TUBING SIZE	METRIC EQ.	STRAIGHT THRU	SHUTOFF	LENGTH
IN-LINE HOSE BARB	1/4" ID	6.4mm ID	PS1700412	PSD1700412	1.95 (49.5)
	3/8" ID	9.5 mm ID		PSD1700612	1.95 (49.5)

## CLOSURE - Polyethylene



TERMINATION	PART NO.	LENGTH	HEIGHT
THREAD-ON 38MM VALVED	PSC38mm	1.7 (43.2)	1.12 (28.4)
SNAP-IN 38MM VALVED	496200	1.88 (47.8)	1.62 (41.1)

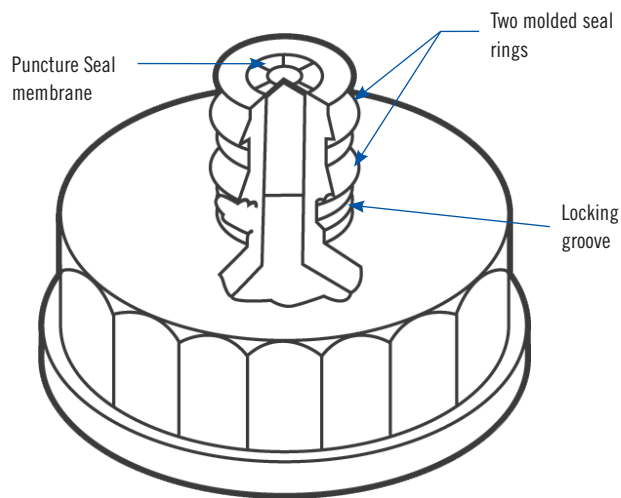
*Note: Snap-in closure designed to fit Scholle 900 bag necks.*

## DID YOU KNOW

**CPC's Puncture Seal closures can be used to dispense virtually any liquid from flexible packages.**

The Puncture Seal makes transporting and dispensing cleaning concentrates, dry cleaning chemicals and soaps cleaner and safer. Printing inks, photo developers and dyeing agents can also be dispensed quickly and easily, without messy drips or spills. The Puncture Seal can also be used with beverage and condiment dispensing systems, just look for the NSF-listed part numbers.

## CLOSURE DETAIL



WARRANTY: All sales are subject to Colder Products Company's limited express warranty set forth in the CPC catalog. Contact your local distributor or CPC Customer Service for warranty provisions.

Warning: Due to the wide variety of possible fluid media and operating conditions, unintended consequences may result from the use of this product, all of which are beyond the control of CPC. It is the user's responsibility to carefully determine and test for compatibility for use with their application. All such risks shall be assumed by the buyer.

COPYRIGHT © 2021 BY COLDER PRODUCTS COMPANY. COLDER PRODUCTS COMPANY, COLDER PRODUCTS AND CPC ARE REGISTERED

TRADEMARKS WITH THE US PATENT & TRADEMARK OFFICE